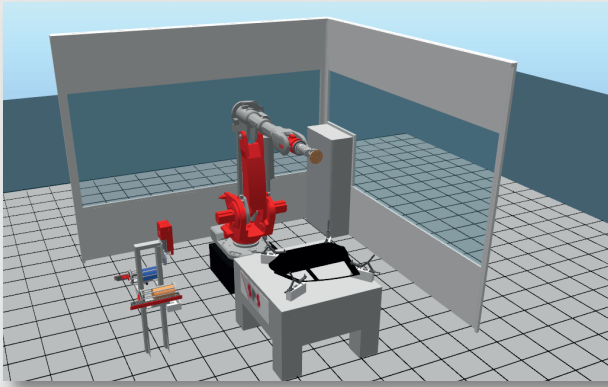


SANDING CELL

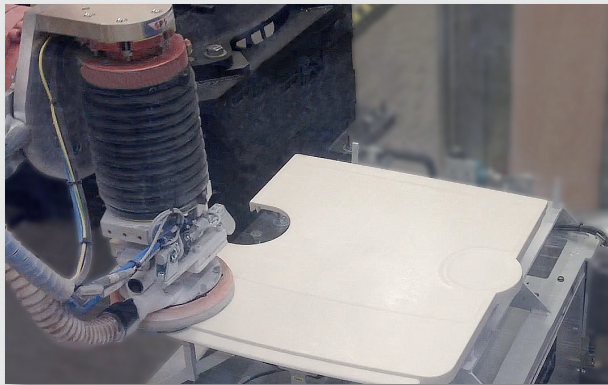
打磨单元





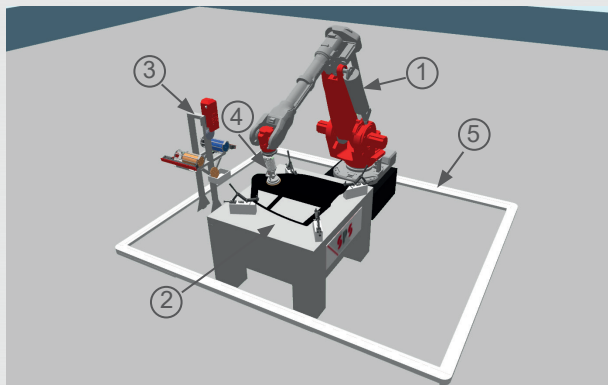
Sanding cell 打磨单元

- ▶ designed for industrial use 24/7
专为工业用途设计 24/7
- ▶ material independent, infinite working piece variety
不受材料和工件类型限制
- ▶ small footprint: cell dimensions 5m x 5m
占地面积: 单元尺寸 5m x 5m
- ▶ working piece up to 2000mm x 1000mm
最大工件尺寸 2000mm x 1000mm
- ▶ high flexibility, easy programming
高度的灵活性, 易于编程



Options 选件

- ▶ dust extraction system, wet sanding
除尘系统, 湿式打磨
- ▶ simultaneous use of different sanding papers
同时使用不同类型的砂纸
- ▶ electrical or pneumatic sander
电动或气动砂光机
- ▶ special solutions for different sizes and requirements
针对不同尺寸和要求的特殊解决方案



- ① 6 axis industrial robot
6 轴工业机器人
- ② adjustable jig with clamping device
带夹紧装置的可调夹具
- ③ SDM
SDM-砂盘更换装置
- ④ orbital sander with force control
带力矩控制的轨道砂光机
- ⑤ noise absorbing sanding booth
消音打磨房



0034_2002_V001_EC

sps.at

SPS Automation Co. Ltd.
253 Mengxi Road, Phoenix Industrial Park
Zhenjiang, Jiangsu, China

中国江苏丹阳市延陵镇
凤凰工业园新万宝路1号



斯派思
自动化科技有限公司
Automation